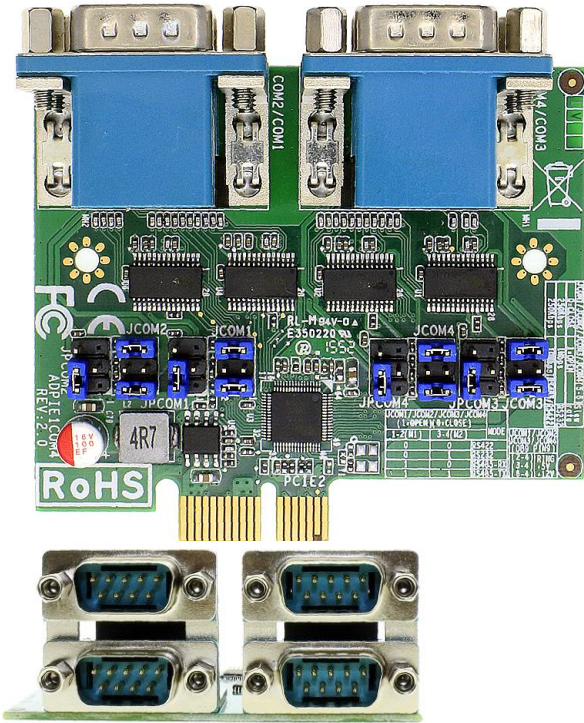


# ADPIE1COM4

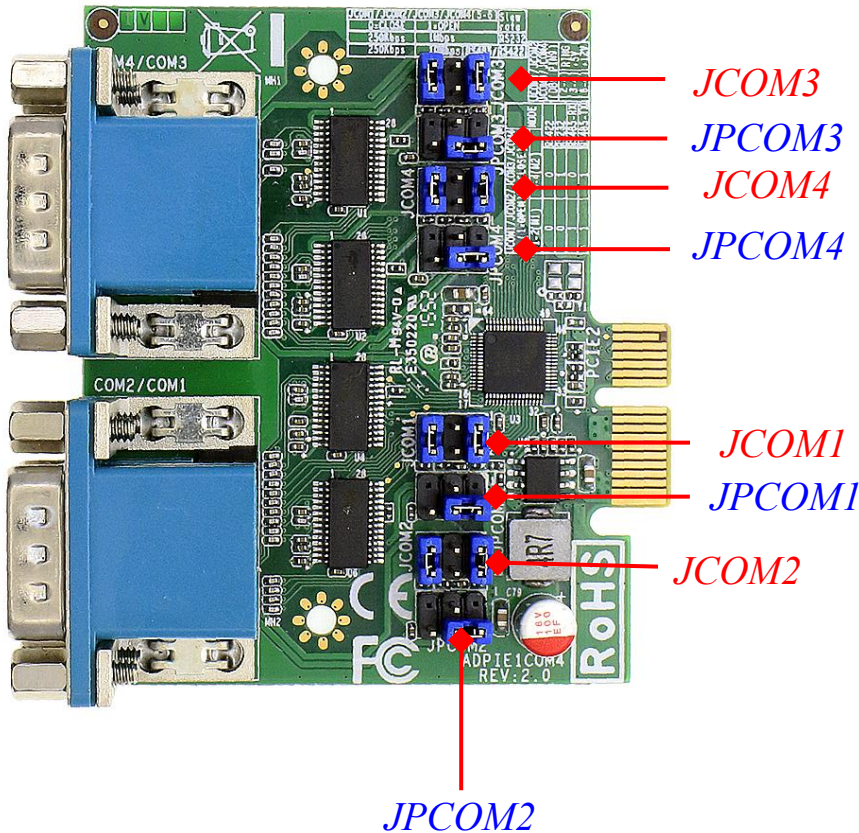
## Industrial and Embedded GEN3 Daughter Board 4 Serial RS232/422/485 / PCI Express x1



### Features

1. Embedded GEN3 Daughter Board with Planned Lifecycle Through Q1'2019
2. 4 Serial Ports (4 \* RS232/422/485)
3. RT81504 Chipset
4. PCI Express x1 Interface
5. Proprietary Form Factor Compatible with Jetway JBC390, JBC38A Barebones and NF541, NF542 Motherboards
6. Ready for OEM System Integration
7. Compatible with Windows and Linux
8. Dimensions: 74mm x 64.5mm

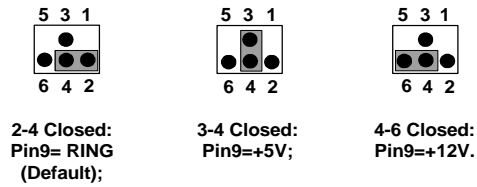
### Connectors, Jumper Settings, Pin Definition :



## Jumper Settings:

JPCOM1→COM1 Port Pin-9/ JPCOM2→COM2 Port Pin-9/

JPCOM3→COM3 Port Pin-9/JPCOM4→COM4 Port Pin-9



JCOM1 : Select RS232/RS422/RS485 for COM1 port

JCOM2 : Select RS232/RS422/RS485 for COM2 port

JCOM3 : Select RS232/RS422/RS485 for COM3 port

JCOM4 : Select RS232/RS422/RS485 for COM4 port

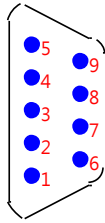
JCOM1/JCOM2/JCOM3/JCOM4			
PIN (1-2) & PIN(3-4)			
1-2	3-4	Settings	Mode
CLOSE	OPEN		RS232
CLOSE	CLOSE		RS422
OPEN	CLOSE		RS485-RX
OPEN	OPEN		RS485-TX

JCOM1/JCOM2/JCOM3/JCOM4 (5-6)		
SLEW RATE		MODE
5-6 (CLOSE)	5-6 (OPEN)	
250 Kbps	1M bps	RS232
250 Kbps	10 Mbps	RS485/RS422

## Connector Pin Definition:

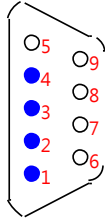
### COM1/2/3/4 :

#### - RS232



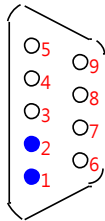
Pin No.	Pin Definition	Pin No.	Pin Definition
1	DCD#	6	DSR#
2	SIN	7	RTS#
3	SOOUT	8	CTS#
4	DTR#	9	RI#/+12V/+5V
5	GND		

#### - RS422



Pin No.	Pin Definition	Pin No.	Pin Definition
1	TX-(B)	6	NC
2	TX+(A)	7	NC
3	RX+(A)	8	NC
4	RX-(B)	9	NC
5	GND		

#### - RS485



Pin No.	Pin Definition	Pin No.	Pin Definition
1	D-(B)	6	NC
2	D+(A)	7	NC
3	NC	8	NC
4	NC	9	NC
5	GND		

\*Specifications subject to change without notice, not responsible for typographical errors.



**Jetway Computer Corporation**  
**Phone: 510-857-0130 Fax: 510-857-0138**  
**8058 Central Ave., Newark, CA 94560**  
**[www.jetwaycomputer.com](http://www.jetwaycomputer.com)**

