

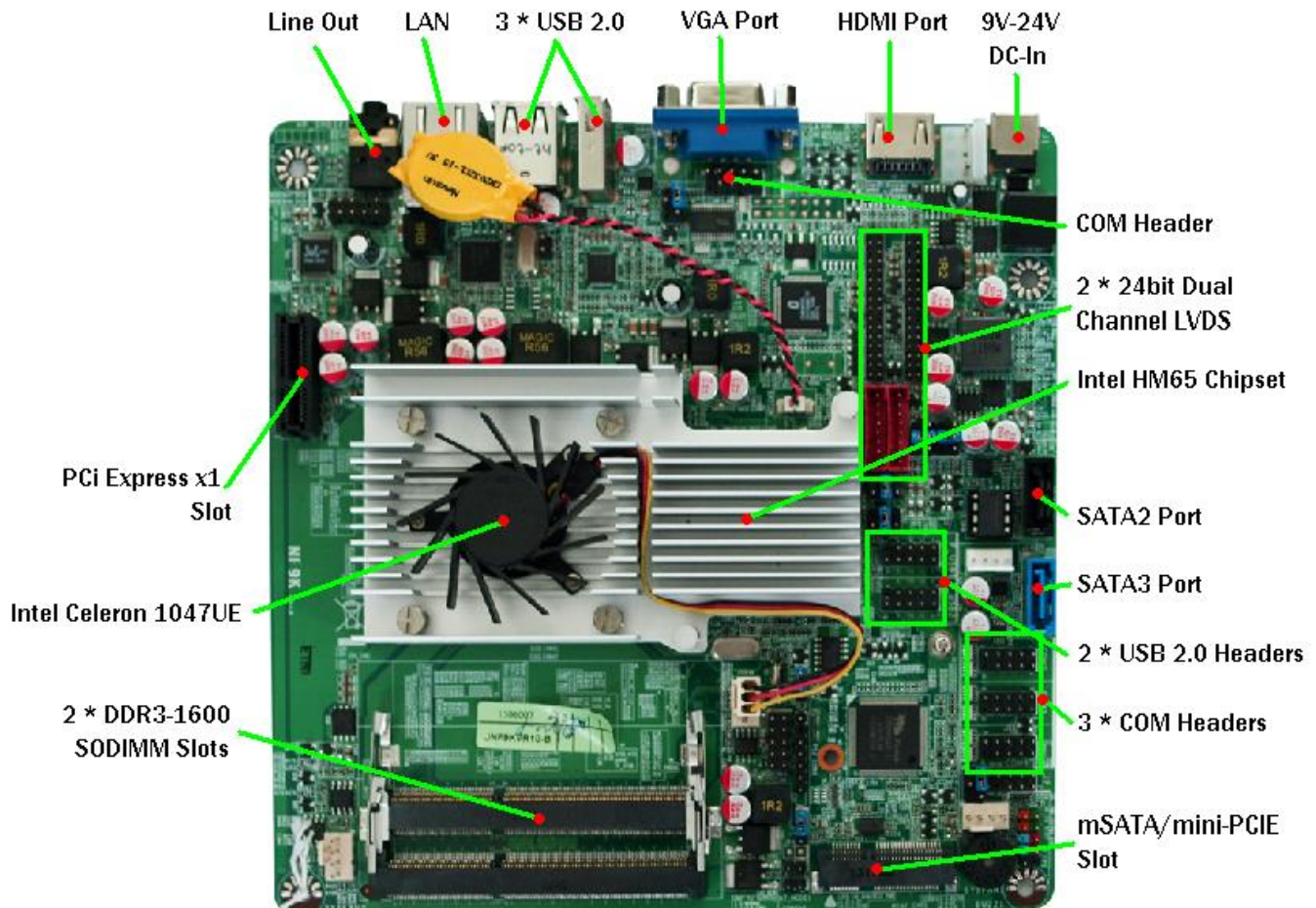
NF9KV-1047

Thin Mini-ITX Industrial Motherboard / PCIE x1
Celeron 1047UE / HDMI / VGA / 2 LVDS / 9V-24V



Features

1. Long-Life Embedded Class Industrial Motherboard with Planned Lifecycle Through Q1'2018
2. Ideal for Kiosk, Digital Signage, Panel PC, All-in-One AIO, Casino Gaming, POS
3. Intel Celeron 1047UE Processor, 1.4GHz, Dual-Core, 17W, 22nm, Ivy Bridge Class, Intel HM65 Express Chipset
4. HDMI, VGA, 2 * 24bit Dual Channel LVDS
5. Supports DDR3-1600 SODIMM up to 16GB Total
6. 1 * SATA3 6Gb/s Port, 1 * SATA2 3Gb/s Port
7. 1 * mSATA/PCI Express Mini Card Combo Slot
8. Intel Gigabit LAN, HD Audio, PCI Express 2.0 x1
9. 4 * Serial Ports (internal), 8-bit GPIO, Watchdog Timer
10. Supports Windows 8, Windows 7, Windows XP, Linux
11. Built-in Wide Range +9V - 24V DC Power
12. Thin Mini-ITX Form Factor (170mm x 170mm)



Model / Series	■ NF9KV
Part No	■ JNF9KV-1047
Processor	■ Intel Celeron-M 1047UE, 1.4GHz, Dual-Core, 17W, 22nm (Ivy Bridge)
Chipset	■ Intel HM65 Express Chipset
Video	■ Intel HD Graphics, 350 – 900MHz
Memory	■ 2 * 204-pin SO-DIMM slots supporting non-ECC DDR3-1600 up to 16GB total
Expansion Slots	■ 1 * PCI Express 2.0 x1 Slot
Storage	■ 1 * SATA3 6Gb/s port, 1 * SATA2 3Gb/s port ■ 1 * Shared mSATA/mini-PCI Express slot (Full-size)
Audio	■ Realtek ALC662 5.1 Channel HD Audio
Network	■ Intel i211AT Gigabit LAN
Other Features	■ Support ACPI S3, AHCI, CPU Smart FAN, Watchdog Timer 10-255 min/sec
Rear Panel I/O	■ 3 * USB 2.0 ports ■ 1 * RJ-45 ports ■ 1 * VGA port ■ 1 * HDMI port ■ Audio Line Out ■ 9V – 24V DC-in jack
Internal I/O	■ 2 * USB Headers for 4 * USB 2.0 ports ■ CPU Fan connector, 2 * SYSFAN connectors ■ 1 * PS/2 Mouse/Keyboard header ■ 2 * 24bit Dual Channel LVDS headers ■ 4 * Serial port headers (2 * RS232, 2 * RS232/422/485) ■ 8-bit GPIO header, Chassis Intrusion header
BIOS	■ AMI UEFI 32MB DIP Flash ROM
Box Contents	■ NF9KV Motherboard, SATA Cables, Manual, DVD Driver Disk, I/O Shield
Certification	■ CE, FCC, RoHS, ErP
Temperature	■ Operating Temperature 0~40 ° C, Storage Temperature -20-85 ° C
Form Factor	■ Thin Mini-ITX Form Factor (170mm x 170mm)
Warranty	■ 2 Years Limited Warranty

*Specifications subject to change without notice, not responsible for typographical errors.



Jetway Computer Corporation
Phone: 510-857-0130 Fax: 510-857-0138
8058 Central Ave., Newark, CA 94560
www.jetwaycomputer.com

