

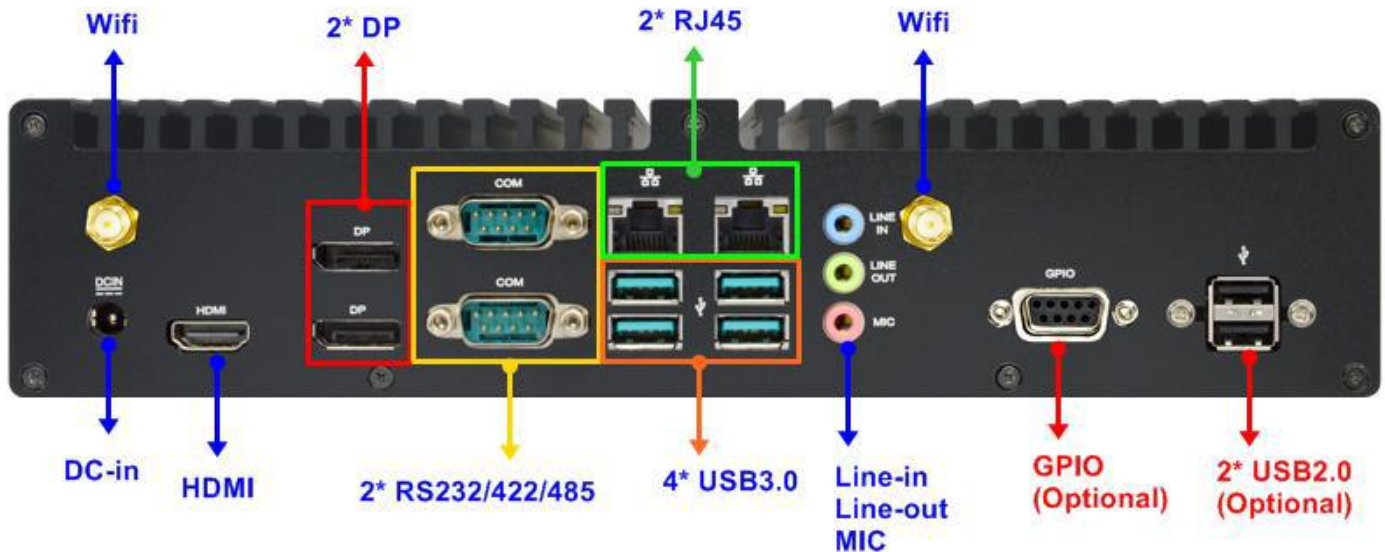
# JBC501F797

## Coffee Lake Fanless Embedded Barebone 2 Intel GbE / 2 DP 4K / HDMI / M.2 / TPM



### Features

- Fanless Embedded Barebone System
- Fanless Black Aluminum Enclosure
- Socket LGA1151 Supporting 8<sup>th</sup>/9<sup>th</sup> Generation Intel Core i3, i5, i7 Processors (Coffee Lake), Up to 35W Max
- Supports DDR4-2133 SODIMM up to 32GB Total
- Supports up to 3 Displays, 1 \* HDMI, 2 \* DisplayPort
- 1 \* 2.5" SATA3 6Gb/s Internal Drive Bay
- 1 \* M.2 SATA & PCIE 3.0 x4 NVME 2242/2280
- M.2 2230 Slot (or occupied with WIFI)
- 2 \* Intel Gigabit LAN , Onboard TPM 2.0
- 4 \* USB 3.1 Gen2 Ports, 2 \* USB 2.0 Ports
- 2 \* Serial Ports (2 \* RS232/422/485)
- Watchdog Timer, 120W 19V AC Adapter
- Includes Wall Mount and DIN Rail Mounts
- Dimensions: 58 x 199.4 x 264mm



<b>Model</b>	<ul style="list-style-type: none"> <li>■ JBC501F797</li> </ul>
<b>Part No</b>	<ul style="list-style-type: none"> <li>■ HBJC501F797-Q37-B (TPM 2.0)</li> <li>■ HBJC501F797W-Q37B (TPM 2.0, WIFI)</li> </ul>
<b>Processor</b>	<ul style="list-style-type: none"> <li>■ Socket LGA1151 (300 series), Supports 8th/9th Generation Intel Core i3, i5, i7 processors, Coffee Lake, Up to 35W supported</li> </ul>
<b>Memory</b>	<ul style="list-style-type: none"> <li>■ 2 * 260-pin SO-DIMM slots supporting dual channel DDR4-2133 up to 32GB total</li> </ul>
<b>Storage</b>	<ul style="list-style-type: none"> <li>■ 1 * 2.5" SATA3 6Gb/s internal drive bay</li> <li>■ 1 * M.2 M-key SATA &amp; PCIE 3.0 x4 NVME 2242/2260/2280</li> </ul>
<b>Network</b>	<ul style="list-style-type: none"> <li>■ 1 * Intel i211-AT Gigabit LAN, 1 * Intel i219-LM Gigabit LAN with vPro &amp; iAMT support</li> <li>■ 1 * M.2 2230 E-Key (occupied on WIFI model)</li> </ul>
<b>Other Features</b>	<ul style="list-style-type: none"> <li>■ HD Audio, AHCI, Watchdog Timer 10-255 min/sec., AT/ATX power mode</li> <li>■ 2 * USB 3.1 Gen2 Type-A vertical internal ports</li> </ul>
<b>Rear Panel I/O</b>	<ul style="list-style-type: none"> <li>■ 4 * USB 3.1 Gen2 ports</li> <li>■ 1 * HDMI 1.4 (4K @30Hz)</li> <li>■ 2 * DisplayPort 1.2 (4K @60Hz)</li> <li>■ 2 * RJ45</li> <li>■ Line-out, Line-in, Mic-in</li> <li>■ 2 * Serial ports (2 * RS242/422/485)</li> <li>■ 2 * Antenna holes</li> <li>■ 9V - 36V DC-In barrel jack (1-pin, 2.5mm ID/5.5mm OD)</li> <li>■ Optional: 2 * USB 2.0 ports, 8bit GPIO DB9 port</li> </ul>
<b>Front Panel I/O</b>	<ul style="list-style-type: none"> <li>■ Power button</li> <li>■ 2 * USB 2.0 ports</li> </ul>
<b>BIOS</b>	<ul style="list-style-type: none"> <li>■ AMI UEFI 128MB DIP Flash ROM</li> </ul>
<b>Box Contents</b>	<ul style="list-style-type: none"> <li>■ 120W 19V AC Adapter, US Power Cord</li> <li>■ Wall + DIN mounting brackets</li> <li>■ DIN Rail Clips</li> <li>■ Port dust covers</li> <li>■ (2 * Antenna on WIFI model)</li> </ul>
<b>Compliance</b>	<ul style="list-style-type: none"> <li>■ CE, FCC, RoHS, ErP Ready</li> </ul>
<b>Temperature</b>	<ul style="list-style-type: none"> <li>■ Operating Temperature -20 ~ 50° C, Storage Temperature -10 - 70° C</li> </ul>
<b>Dimensions</b>	<ul style="list-style-type: none"> <li>■ 199.4 x 264 x 58mm (DxWxH)</li> </ul>
<b>OS Support</b>	<ul style="list-style-type: none"> <li>■ Windows 10 64bit, UEFI Linux</li> </ul>
<b>Warranty</b>	<ul style="list-style-type: none"> <li>■ 2 Years limited warranty</li> </ul>

\*Specifications subject to change without notice, not responsible for typographical errors. Does not include CPU, Memory, Storage or OS.



**Jetway Computer Corporation**  
**Phone: 510-857-0130 Fax: 510-857-0138**  
**8058 Central Ave., Newark, CA 94560**  
**www.jetwaycomputer.com**

