

HPC-170GR-HD1900B

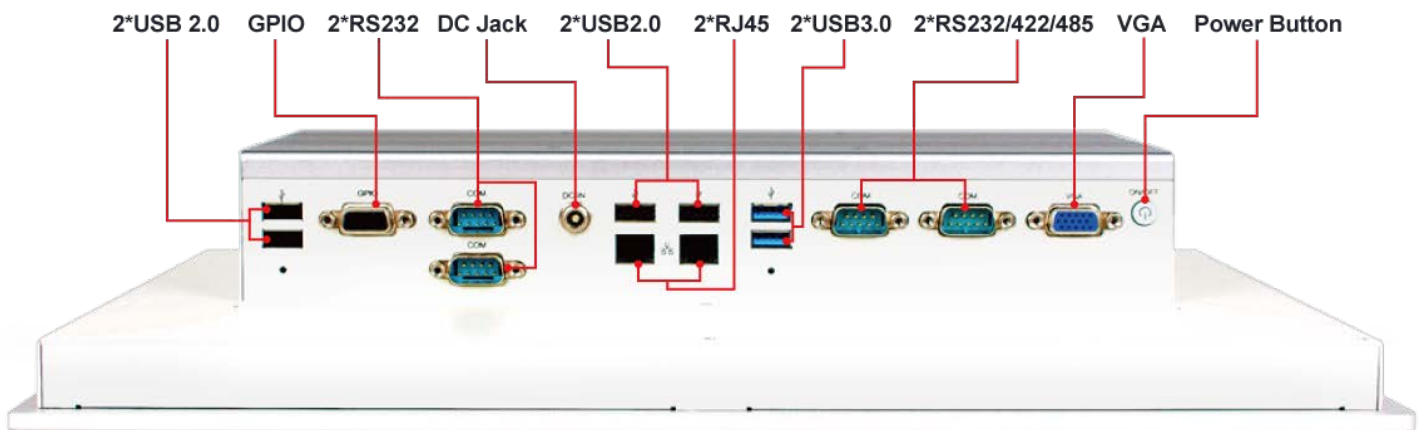
17.0" TFT FanLess Touch Panel Computer with Intel® BayTrail-D J1900 2.0GHz Quad Cores Processor



1. 17.0" 350 nits high brightness TFT LCD with LED backlight
2. 5 Wire Resistive Touch/Anti-Reflection Protection Glass
3. Cable less, Streamlined enclosure for highly efficient heat dissipation Enclosed in robust aluminum casings
4. Strong solid aluminum frame design and Fanless cooling system
5. Support Open frameless design
6. Design for easy Wall mount, Panel Mount, VESA Mount installation
7. A true Flat, easy-to-clean front surface with edge-to-edge design
8. USB3.0 Support Lock Device
9. Front IP65 for protection against water and dust
10. 9-28V DC-input Support, with EOS, OVP design



External I/O



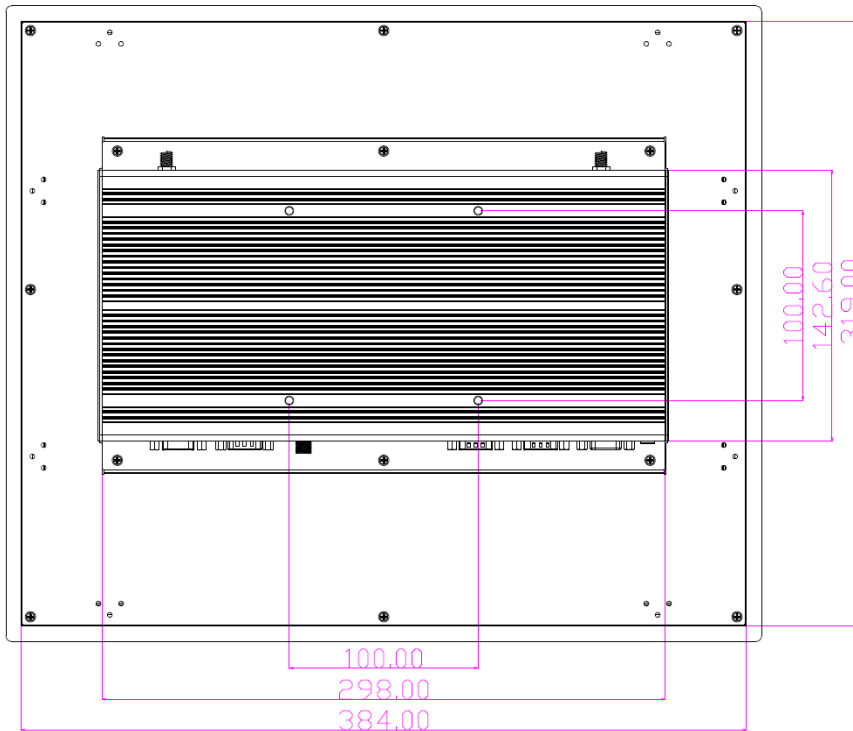
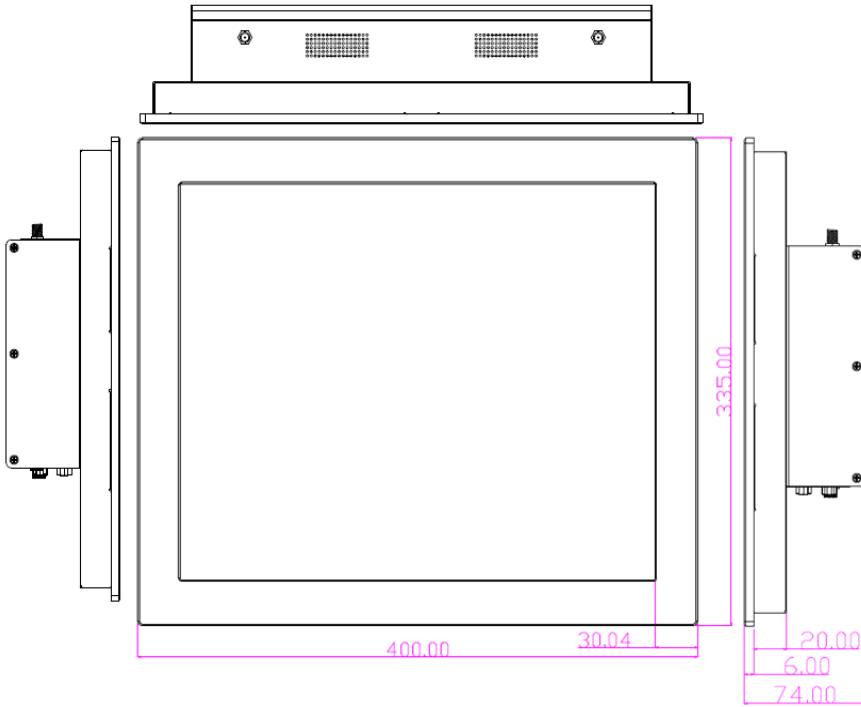
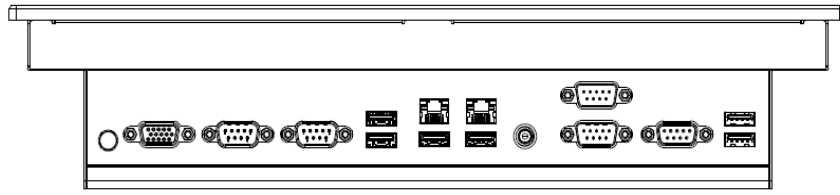
Specifications

Display	
Front Bezel	- IP65, NEMA 4 rugged protection, metal front bezel
Display Type	- 17.0" With LED Backlight
Brightness (cd/m ²)	- 350 nits
Display Color	- 16.7M
Resolution	- 1280 x 1024 @ 60Hz
Viewing Angle (H/V)	- 170°/160°
Pixel Pitch	- 0.264 x 0.264 mm
Aspect Ratio	- 4:3
Contrast Ratio	- 1000:1
Response Time	- 3.5 ms
Touch screen	
Type	- 5 wires analog resistive type
Active Range	- 337.00 x 269.50mm ±0.2mm
Operating Force	- ≤ 80g
Transparency	- 80 ±3%
Surface Hardness	- ≥ 3H (ASTM D3363, pressure 750g/45°)
Knock test	- 10,000,000 times keystrokes
CASE	
Panel Material	- Aluminum
Case Material	- Iron
Color	- Silver + white
Coating Requirement	- Spray Paint
Main System	
CPU	- Intel® Bay Trail-D J1900 2.0GHz/QC
RAM	- 4G 1333MHz DDR3L SAMSUNG DRAM
BIOS	- 64MB SPI Flash ROM
Storage	- 1* 2.5" SATA HDD - 1* M.2 connector (2242/2260/2280)
Watchdog Timer	- 256 levels, 0~255 sec.
OS Support	- Windows 7 / 8.1 / 10 / Linux(Optional)
I/O Connector	
I/O Ports and Switches	- 2* USB3.0 - 4* USB2.0 - 2* RS232/422/485 - 2* RS232

	<ul style="list-style-type: none"> - 1* CRT - 1* 8bit GPIO - 2* LAN (Intel® I211AT Gigabit LAN) - 1* Locking Jack 9~28V DC input - 1* Power button
Expansion Interface	
Expansion	<ul style="list-style-type: none"> - 1 * PCI-E mini card for WIFI or 3G/4G - 1 * SIM card holder for 3G/4G
Power	
Power Input	<ul style="list-style-type: none"> - AC version: 100~240V AC-DC 60W power adapter or - DC version: 9-28VDC with over current protection fuse
Power Consumption	- 37.5W
Dimensions	
Case Dimensions	- 400.0*335.0*74.0mm
Packing Dimensions	<ul style="list-style-type: none"> - Net Weight: KG - Gross Weight: KG - Color Box dimension: (W) * (D) * (H) mm
Certifications	
Certifications	- CE, FCC, IP65(Front)
Environment	
Temperature	- Operating: -0°C ~ 60°C (with W.T. DRAM/HDD in airflow condition)
	- Operating: -0°C ~ 60°C (with W.T. DRAM/HDD)
	- Storage: -20°C ~ 85°C
Shock	- Operating: 15G , 11ms duration
Vibration	- Operating: 5~500Hz/1 Grms
Warranty	
Warranty	- 2 Years Limited Warranty (Panel is only Warranty 1Year)

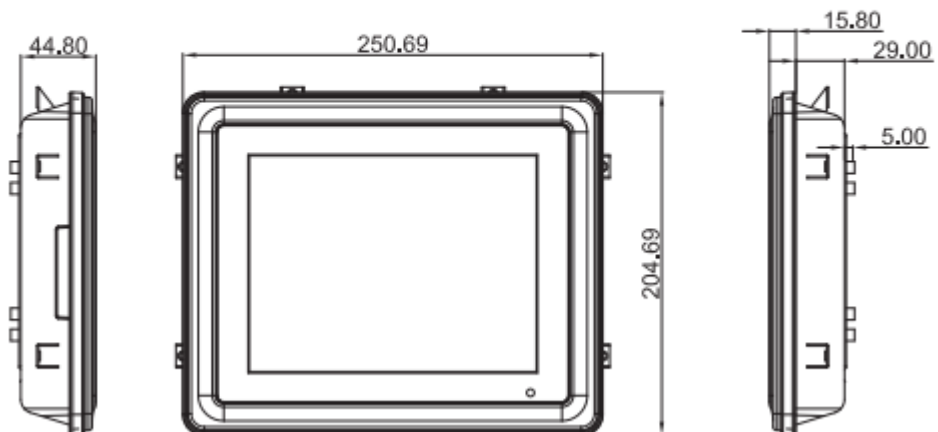
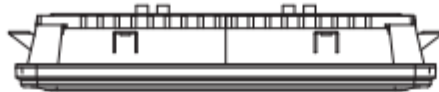
*Specifications subject to change without notice, not responsible for typographical errors. Does not include HDD or OS.

Mechanical Drawings (Unit = mm)



Optional Accessories

Part Number	Description
-----	HPC-170GR-HD1900B
	HPC-170GR-HD1900B User's Manual
	JNC7A-P1900-4G User's Manual
	CD Driver
	Power cord
	60W AC-DC Adapter



Tel: +886-2-89132711 E-mail: sales@jetway.com.tw Web: www.jetwayipc.com
Support: technic@jetway.com.tw or support_team@jetway.com.tw