



# HPC-104BR-2930-4G

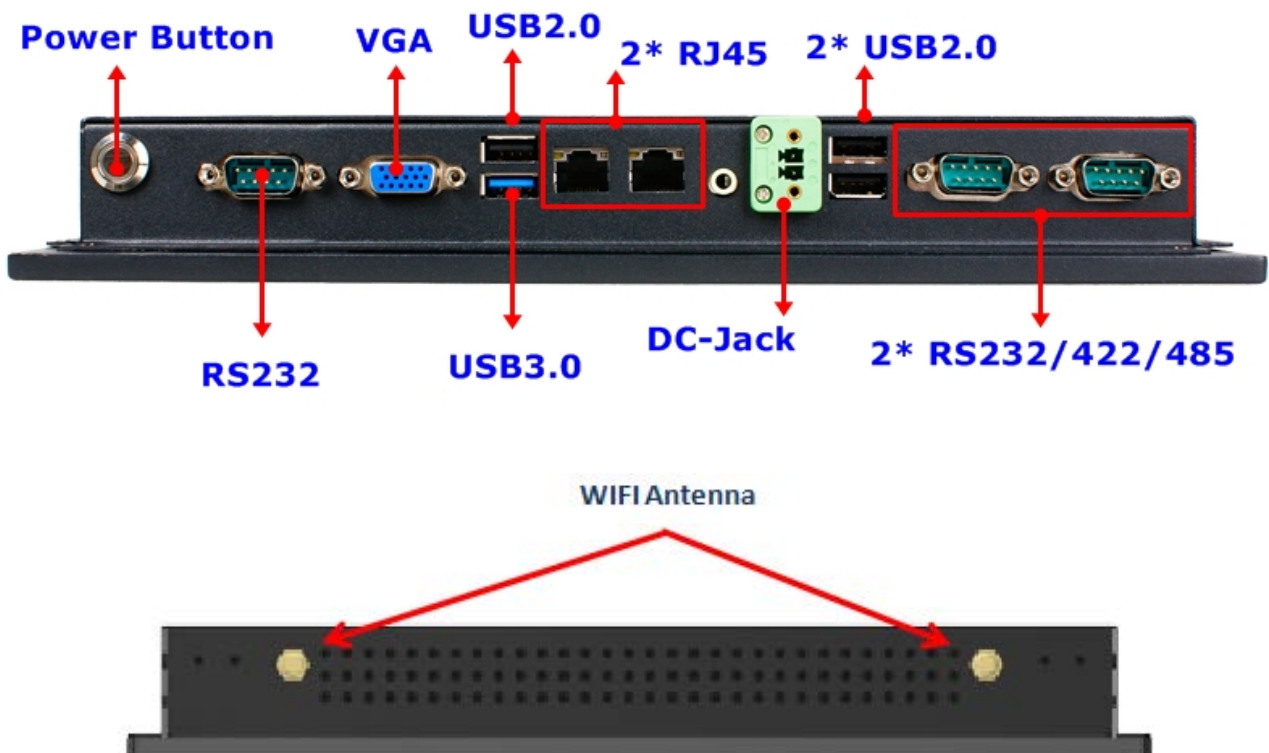
10.4" SVGA TFT Fan less Touch Panel Computer with Intel® Bay Trail-M N2930 1.83GHz Quad Cores Processor



1. 10.4" 230 nits high brightness SVGA TFT LCD with LED backlight
2. 5 wires analog resistive type Touch
3. Onboard Intel® Bay Trail-M N2930 1.83GHz Quad Cores CPU
4. Onboard SAMSUNG 4G/1333MHz DDR3L Memory
5. Support Dual Intel® Gigabit LAN
6. Support 3 \* COM ports (COM2/COM3 Support RS422/485)
7. Support 2.5" SATA HDD
8. 1 \* M-SATA Socket
9. 1 \* Mini PCI-E Socket
10. Support 4G SIM Card
11. IP65-rated front bezel



## External I/O



## Specifications

### Display

|                                 |   |
|---------------------------------|---|
| Front Bezel                     | - IP65, NEMA 4 rugged protection, plastic front bezel |
| Display Type                    | - 10.4" With LED Backlight                            |
| Brightness (cd/m <sup>2</sup> ) | - 230 nits  |
| Display Color                   | - 262K  |
| Resolution                      | - 800 x600 @ 60Hz                                     |
| Viewing Angle (H/V)             | - 160°/130°   |
| Pixel Pitch                     | - 0.264 x 0.264 mm                                    |
| Aspect Ratio                    | - 4:3   |
| Contrast Ratio                  | - 500:1   |
| Response Time                   | - 20 ms   |
| Operating Temperature           | --20 ~70°C  |

### Touch screen

|                       |  |
|-----------------------|--|
| Type                  | - 5 wires analog resistive type        |
| Active Range          | - 211.58 x 158.75mm ±0.2mm             |
| Transparency          | - 80 ±3%                               |
| Surface Hardness      | - ≧ 3H (ASTM D3363, pressure 750g/45°) |
| Operating Force       | - ≦ 80g                                |
| Knock test            | - 10,000,000 times keystrokes          |
| Operating Temperature | --20 ~70°C                             |

### Main System

|                |  |
|----------------|--|
| CPU            | - Intel® Bay Trail-M N2930 1.83GHz/QC                  |
| RAM            | - 4G 1333MHz DDR3L SAMSUNG DRAM                        |
| BIOS           | - 64MB SPI Flash ROM                                   |
| Storage        | - 1 * 2.5" SATA HDD (SATA-2)<br>- 1 * M-SATA connector |
| Watchdog Timer | - 256 levels, 0~255 sec.                               |
| OS Support     | - Windows 7 / 8.1 / 10 / Linux (Option)                |

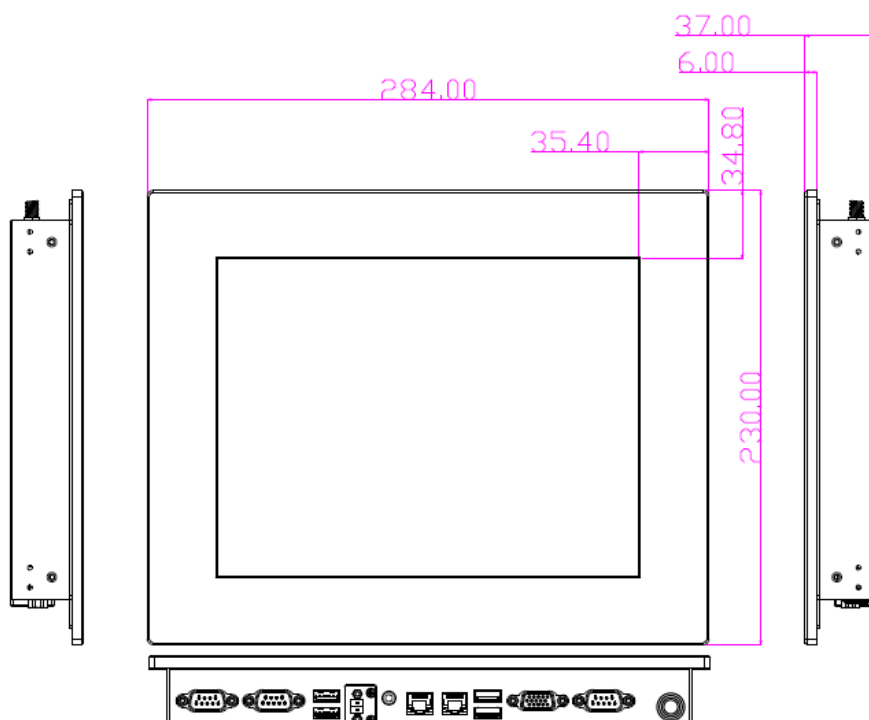
### I/O Connector

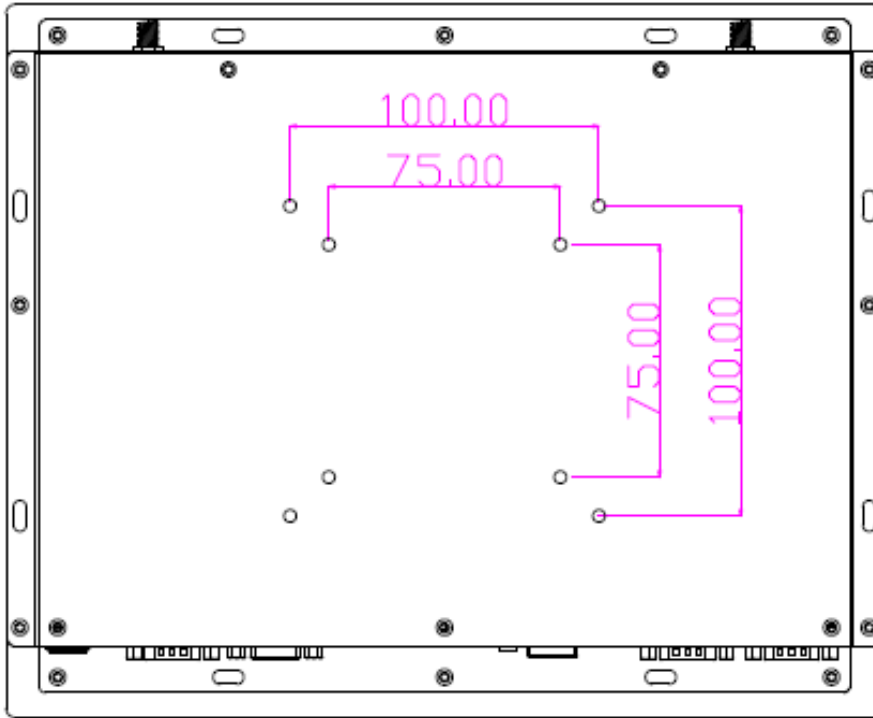
|                        |  |
|------------------------|--|
| I/O Ports and Switches | - 1 * USB3.0<br>- 3 * USB2.0<br>- 1 * RS232<br>- 2 * RS232/422/485<br>- 1 * CRT<br>- 2 * LAN (Intel® I211AT Gigabit LAN)<br>- 1 * Line-out |
|------------------------|--|

|                            |  |
|----------------------------|--|
|                            | - 1 * Euro terminal block 9~24V DC input   |
| <b>Expansion Interface</b> |  |
| Expansion                  | - 1 * PCI-E mini card for wifi or 3G   |
| <b>Power</b>               |  |
| Power Input                | - AC version: 100~240V AC-DC 60W power adapter or<br>- DC version: 9~24VDC with over current protection fuse |
| Power Consumption          | - 23W  |
| <b>Dimensions</b>          |  |
| Case Dimensions            | - 284.0*230.0*37.0mm   |
| Packing Dimensions         | - Net Weight: <b>KG</b><br>- Gross Weight: <b>KG</b><br>- Color Box dimension: 400 (W) * 266 (D) *418 (H) mm |
| <b>Certifications</b>      |  |
| Certifications             | - CE, FCC, IP65  |
| <b>Environment</b>         |  |
| Temperature                | - Operating: -10°C ~ 60°C (with W.T. DRAM/HDD in airflow condition)  |
|                            | - Operating: -10°C ~ 60°C (with W.T. DRAM/HDD)   |
|                            | - Storage: -20°C ~ 70°C  |
| Shock                      | - Operating: 15G , 11ms duration   |
| Vibration                  | - Operating: 5~500Hz/1 Grms  |
| <b>Warranty</b>            |  |
| Warranty                   | - 2 Years Limited Warranty (Panel is only Warranty 1Year)  |

\*Specifications subject to change without notice, not responsible for typographical errors. Does not include HDD or OS.

## Mechanical Drawings (Unit = mm)





## Optional Accessories

| Part Number | Description                    |
|-------------|--------------------------------|
| -----       | HPC104BR-2930-4G               |
|             | HPC104BR-2930-4G User's Manual |
|             | JNLBT-IE2930-4G User's Manual  |
|             | CD Driver                      |
|             | Power cord                     |
|             | 60W AC-DC Adapter              |