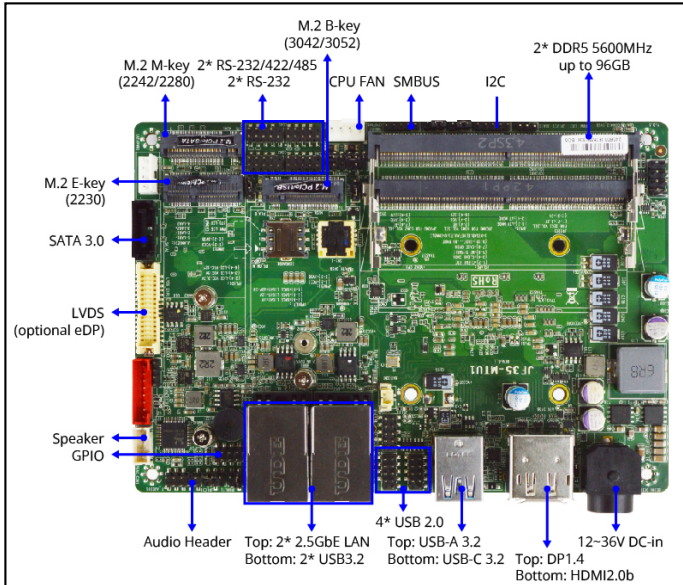


3.5" SubCompact Board with Core™ Ultra 7 155U/ Core™ Ultra 5 125U



Features

- Powered by Intel® Core™ Ultra SoC Processor (Meteor Lake): With integrated NPU for AI acceleration.
- High-Performance Memory: 2x DDR5 5600MHz SO-DIMM, up to 96GB.
- Dual Intel® 2.5GbE LAN: Supports TSN, Redundancy, and High-speed connectivity
- Versatile 4-Display Support: 3x 4K outputs (DP Type-C, DP, HDMI) and 1x LVDS for flexible configurations
- Storage and Expansion: 1x SATA III, 1x M.2 E-Key, 1x M.2 M-Key, 1x M.2 B-Key, and 1x Nano SIM slot.
- Comprehensive I/O: 1x USB 3.2 Gen2x2, 3x USB 3.2 Gen 2, 4x USB 2.0, and 4x COM ports.
- Wide-Range DC Input: 12–36V for industrial applications.

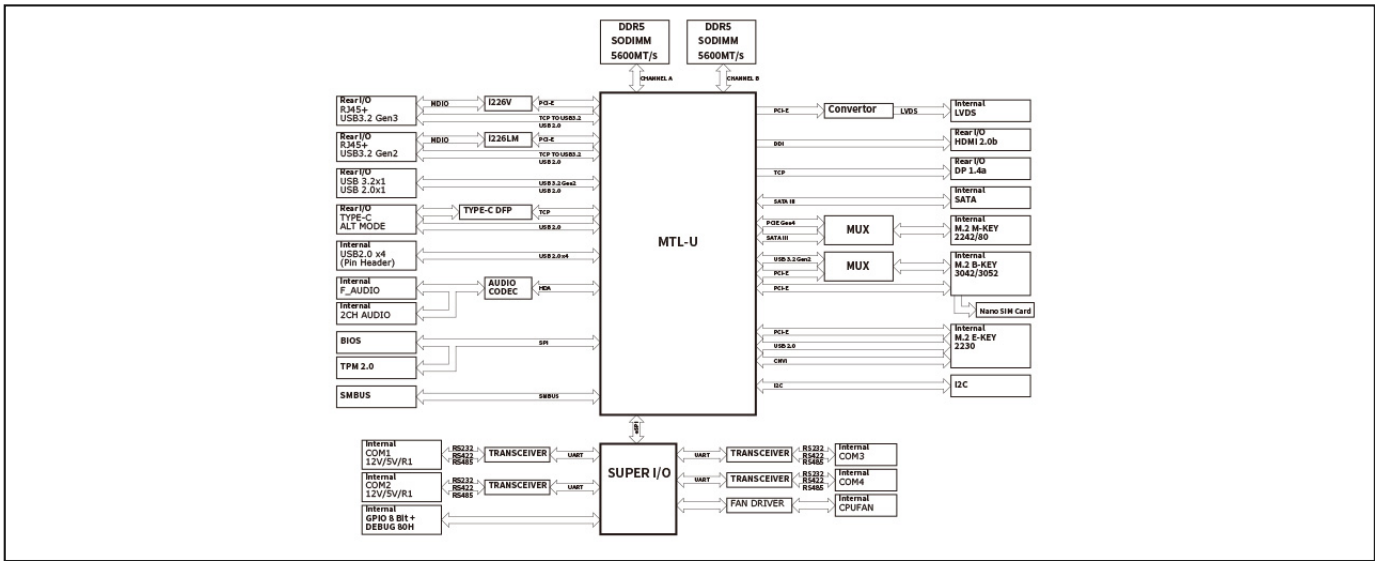
Packing List

PART NUMBER	DESCRIPTION	QTY
G01-COM-H2M20-1F	COM cable	2
G01-SATA3-BL-1F	SATA cable	1
G01-PW4PS2S-322-1F	SATA Power cable	1

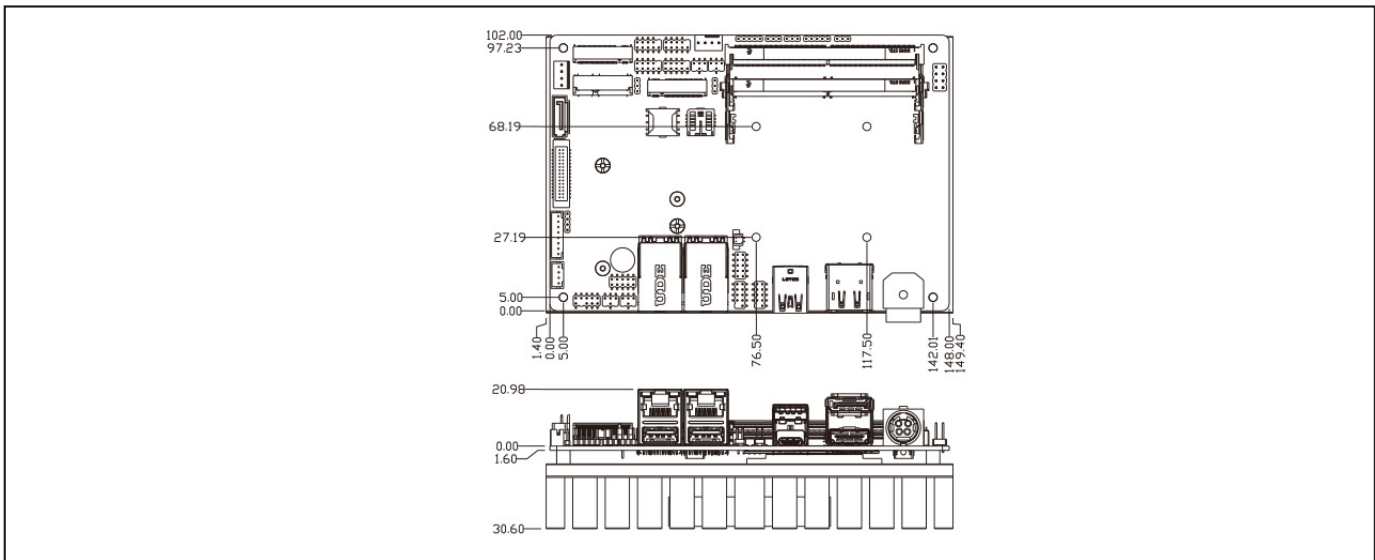
Specifications

SYSTEM	
MB FORM FACTOR	3.5"
CPU	Onboard Intel® Core™ Ultra 5 Processor 125U (Formerly Meteor Lake, TDP 15W) Onboard Intel® Core™ Ultra 7 Processor 155U (Formerly Meteor Lake, TDP 15W)
CHIPSET	Intel® SoC
MEMORY	2 x DDR5 5600MHz, Dual Channel SO-DIMM, up to 96GB
BIOS	UEFI
WAKE ON LAN	Yes
WATCHDOG TIMER	255 Levels
SECURITY	TPM2.0 (dTPM, Optional)
RTC BATTERY	Lithium Battery
DIMENSION (W X D)	148.0 (W) x 102.0 (D) mm (5.8" x 4.0")
OS SUPPORT	Windows® 11 (64bit) Windows® 10 (64bit) Linux
POWER	
POWER REQUIREMENT	DC-in 12-36V
POWER ON MODE	AT / ATX (Default) Mode
CONNECTOR	4-pin Power Din
DISPLAY	
GPU	Intel® Graphics
LVDS	1 x 24-bit Dual Channel LVDS (Max. Resolution: 1920 x 1200 @60Hz, Co-lay eDP)
Type C DP	1 x Type C DP1.4 (Max Resolution: 4096 x 2160@60Hz)
DP	1 x DP1.4 (Max Resolution: 4096 x 2160@60Hz)
HDMI	1 x HDMI 2.0b (Max Resolution: 4096 x 2160@60Hz)
MULTIPLE DISPLAY	Support 4 Displays
AUDIO	
CODEC	Realtek Audio Codec
COMBO	1 x Internal Header
AMPLIFIER	3W
LAN	
ETHERNET	1 x RJ45 for Intel® I226-V 2.5GbE 1 x RJ45 for Intel® I226-LM 2.5GbE
USB PORT	
USB	1 x USB 3.2 Gen 2x2 Type-C (20Gbps) 3 x USB 3.2 Gen 2x1 (10Gbps, Formerly USB 3.1 Gen 2) Internal Header for 4 x USB 2.0
SERIAL PORT	
COM	Internal Header for 2 x RS-232/422/485 Internal Header for 2 x RS-232
INTERNAL I/O	
GPIO	8-Bit
SMBUS	Yes
I2C	Yes
FAN	1 x 4-pin Connector for CPU Fan (PWM Mode)
FRONT PANEL	HDD Active LED Power LED Power On/Off Reset
STORAGE	
ADDITIONAL	1 x Chassis intrusion 1 x AT/ATX Mode Selection
SATA	1 x SATA III 1 x SATA Power Connector
RAID	RAID 0/1
EXPANSION	
M.2	1 x E-Key 2230 (USB 2.0/PCIe 3.0 x1) Support CNVi 1 x B-Key 3042/3052 (USB 3.2/PCIe 3.0 x2) 1 x M-Key 2242/2280 (PCIe 4.0 x4 / SATA III) Support NVMe
SIM	1 x Nano SIM Card Slot
ENVIRONMENT & CERTIFICATION	
OPERATING TEMPERATURE	-20°C - 60°C (-4°F - 140°F)
STORAGE TEMPERATURE	-20°C - 85°C (-4°F - 185°F)
OPERATING HUMIDITY	10 - 90% relative humidity, non-condensing
CERTIFICATION	CE/FCC Class A

Block Diagram



Dimension Unit: mm



Ordering Information

PART NUMBER	F35-MTU1-125U0010	F35-MTU1-125U0210	F35-MTU1-155U0010	F35-MTU1-155U0210
CPU	Intel® Core™ Ultra 5 125U	Intel® Core™ Ultra 5 125U	Intel® Core™ Ultra 7 155U	Intel® Core™ Ultra 7 155U
SECURITY	Intel® PTI (TPM)	TPM2.0	Intel® PTI (TPM)	TPM2.0
POWER REQUIREMENT	DC-in 12-36V	DC-in 12-36V	DC-in 12-36V	DC-in 12-36V
GPU	Intel® Graphics	Intel® Graphics	Intel® Graphics	Intel® Graphics
LVDS	1 x LVDS/eDP	1 x LVDS/eDP	1 x LVDS/eDP	1 x LVDS/eDP
TYPE C DP	1 x Type C DP	1 x Type C DP	1 x Type C DP	1 x Type C DP
DP	1 x DP	1 x DP	1 x DP	1 x DP
HDMI	1 x HDMI	1 x HDMI	1 x HDMI	1 x HDMI
MULTIPLE DISPLAY	Support 4 Displays	Support 4 Displays	Support 4 Displays	Support 4 Displays
ETHERNET	2 x 2.5GbE	2 x 2.5GbE	2 x 2.5GbE	2 x 2.5GbE
USB	1 x USB 3.2 Type C	1 x USB 3.2 Type C	1 x USB 3.2 Type C	1 x USB 3.2 Type C
USB	3 x USB 3.2	3 x USB 3.2	3 x USB 3.2	3 x USB 3.2
USB	4 x USB 2.0	4 x USB 2.0	4 x USB 2.0	4 x USB 2.0
COM	2 x RS-232	2 x RS-232	2 x RS-232	2 x RS-232
COM	2 x RS-232/422/485	2 x RS-232/422/485	2 x RS-232/422/485	2 x RS-232/422/485
SATA	1 x SATA III	1 x SATA III	1 x SATA III	1 x SATA III
M.2	1 x M-Key 2242/2280	1 x M-Key 2242/2280	1 x M-Key 2242/2280	1 x M-Key 2242/2280
M.2	1 x E-Key 2230	1 x E-Key 2230	1 x E-Key 2230	1 x E-Key 2230
M.2	1 x B-Key 3042/3052	1 x B-Key 3042/3052	1 x B-Key 3042/3052	1 x B-Key 3042/3052
SIM	1 x Nano SIM Card Slot	1 x Nano SIM Card Slot	1 x Nano SIM Card Slot	1 x Nano SIM Card Slot
OPERATING TEMPERATURE	-20°C ~ 60°C (-4°F ~ 140°F)	-20°C ~ 60°C (-4°F ~ 140°F)	-20°C ~ 60°C (-4°F ~ 140°F)	-20°C ~ 60°C (-4°F ~ 140°F)