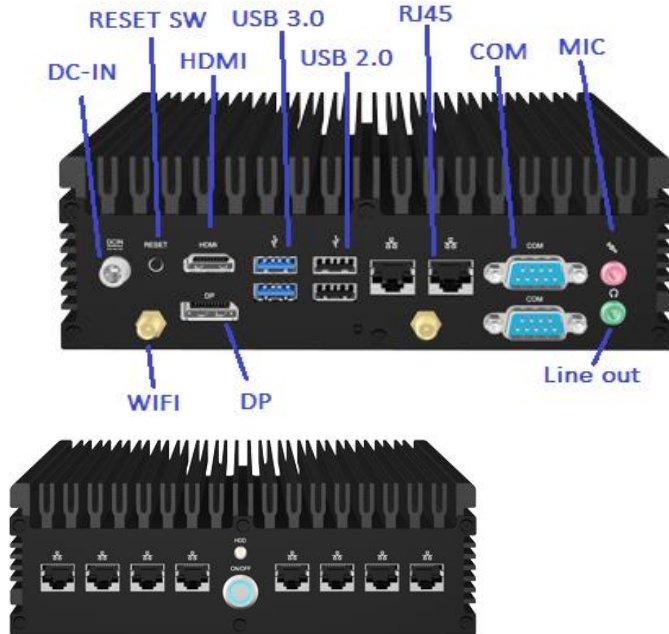


# JBC38AF542AA

## Cableless & Fanless Embedded Barebone I5-4300U / 10 Intel Gigabit LAN / 2 COM



### Features

- High Performance Cableless & Fanless Embedded Barebone
- Planned Product Lifecycle Through Q2'2020
- Intel Core i5-4300U 1.9Hz Dual-Core 15W
- Supports SO-DIMM DDR3L-1600 up to 16GB Total
- 10 \* Intel Gigabit LAN, HD Audio, HDMI, DisplayPort
- 2 \* Serial ports, 1 \* 2.5" SATA3 Drive Bay
- 1 \* Full-size mSATA/Mini-PCIE Shared Slot
- 1 \* Full-size Mini-PCIE Slot (or WIFI)
- Includes Wall and Din Rail Mounts

<b>Model No</b>	■ JBC38AF542AA
<b>Part No</b>	■ HBJC38AF542AA43B (no WIFI), HBJC38AF542WAA43B (with WIFI)
<b>Processor</b>	■ Intel Core i5-4300U Dual-core 1.9GHz, 2.9GHz Burst, 15W TDP, Haswell-ULT
<b>Memory</b>	■ 2 * 204-pin DDR3L-1600 1.35V SO-DIMM up to 16GB total memory, 1.35V required
<b>Expansion Slots</b>	■ 1 * Full-size PCI Express Mini Card slot (occupied on WIFI model)
<b>Storage</b>	■ 1 * 2.5" SATA3 6Gb/s drive bay, 1 * Full-size mSATA/Mini-PCIE shared slot
<b>Network</b>	■ 9 * Intel i211-AT + 1 * Intel i218-LM gigabit LAN supporting iAMT 9.0 & vPRO
<b>Other Features</b>	■ HD Audio, ACPI S3, AHCI, Watchdog Timer 10-255 min/sec., AT/ATX power mode
<b>Rear Panel</b>	■ 2 * USB 3.0 ports, 2 * USB 2.0 ports, HDMI, DisplayPort, 2 * RJ45, Line-out, Microphone, Antenna holes, 2 * Serial ports (RS232), +12V DC In locking jack, Reset button
<b>Front Panel I/O</b>	■ Power button, HDD LED < 8 * RJ45 ports
<b>BIOS</b>	■ AMI 128MB UEFI Flash ROM
<b>Box Contents</b>	■ 60W 12V AC locking adapter, US Power Cord, Manual, Driver DVD, Wall/Din mount, Din Rail Clips
<b>Compliance</b>	■ CE, FCC, RoHS, ErP Ready
<b>Temperature</b>	■ Operating Temperature 0~40 ° C, Storage Temperature -20-85 ° C
<b>Dimensions</b>	■ 175 x 185 x 60mm (DxWxH)
<b>Warranty</b>	■ 2 Years limited warranty

\*Specifications subject to change without notice, not responsible for typographical errors. Does not include memory, storage, optical, or OS.



**Jetway Computer Corporation**  
**Phone: 510-857-0130 Fax: 510-857-0138**  
**8058 Central Ave., Newark, CA 94560**  
**www.jetwaycomputer.com**

