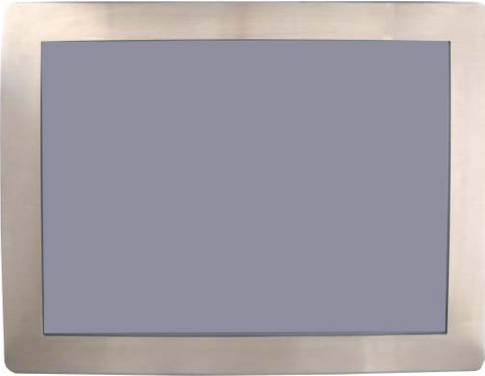


HPC-121SR-SF1900B



1. 12.1" 500 nits high brightness SVGA TFT LCD with LED backlight
2. Onboard Intel® Bay Trail-D J1900 2.0GHz Quad Cores CPU
3. Onboard SAMSUNG 4G/1333MHz DDR3L Memory
4. Support Intel® Gigabit LAN
5. Support 2 * COM ports (Support RS232/422/485)
6. Support 4*USB2.0 ports
7. Support 2.5" SATA HDD, 1 * M.2 connector
8. 1 * Mini PCI-E
9. Support wide voltage input 9~28V
10. Overall support for IP67 levels



External I/O



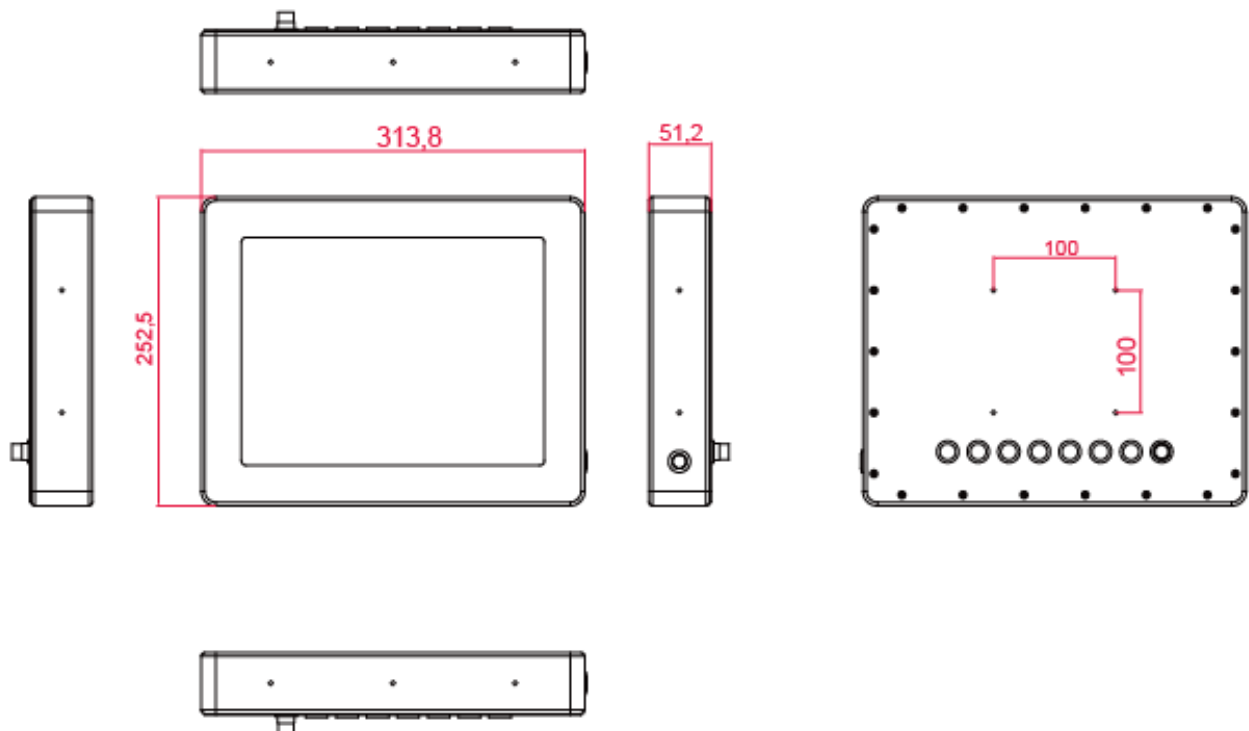
Specifications

Display	
Front Bezel	- IP67, NEMA 4 rugged protection, Overall
Display Type	- 12.1" With LED Backlight
Brightness (cd/m ²)	- 500 nits
Display Color	- 262K
Resolution	- 1024 x768 @ 60Hz
Viewing Angle (H/V)	- 160°/140°
Pixel Pitch	- 0.24 x 0.24 mm
Aspect Ratio	- 4:3
Contrast Ratio	- 700:1
Response Time	- 25 ms
Touch screen	
Type	- 5 wires analog resistive type
Active Range	- 246.80 x 185.50mm ±0.2mm
Transparency	- 80 ±3%
Surface Hardness	- ≥ 3H (ASTM D3363, pressure 750g/45°)
Operating Force	- ≤ 80g
Knock test	- 10,000,000 times keystrokes
Main System	
CPU	- Intel® Bay Trail-D J1900 2.0GHz/QC
RAM	- 4G 1333MHz DDR3L SAMSUNG DRAM
BIOS	- 64MB SPI Flash ROM
Storage	- 1 * 2.5" SATA HDD - 1 * M.2 connector (2242/2260/2280)
Watchdog Timer	- 256 levels, 0~255 sec.
OS Support	- Windows 7 / 8.1 / 10 / Linux
I/O Connector	
I/O Ports and Switches	- 4 * USB2.0 - 2 * RS232/422/485 - 1 * LAN (Intel® I211AT Gigabit LAN) - 1 * Locking Jack 9~28V DC input - 1 * Power button
Expansion Interface	
Expansion	- 1 * PCI-E mini card for WIFI or 3G/4G - 1 * SIM card holder for 3G/4G
Power	

Power Input	- AC version: 100~240V AC-DC 60W power adapter or - DC version: 9~28V DC with over current protection fuse
Power Consumption	- 25W
Dimensions	
Case Dimensions	- 307.8*246.5*50mm
Packing Dimensions	- Net Weight: KG - Gross Weight: KG - Color Box dimension: 384*122*390m
Certifications	
Certifications	- CE, FCC, IP67
Environment	
Temperature	- Operating: -10°C ~ 60°C (with W.T. DRAM/HDD in airflow condition)
	- Operating: -10°C ~ 60°C (with W.T. DRAM/HDD)
	- Storage: -20°C ~ 65°C
Shock	- Operating: 15G , 11ms duration
Vibration	- Operating: 5~500Hz/1 Grms
Warranty	
Warranty	- The warranty of 2 years, panel the warranty of 1 year

*Specifications subject to change without notice, not responsible for typographical errors. Does not include HDD or OS.

Mechanical Drawings (Unit = mm)



Optional Accessories

Part Number	Description
HPC121SR-SF1900B	HPC121SR-SF1900B
	PANEL PC User's Manual
	CD Driver
	Power cord
	60W AC-DC Adapter
	JNC7A-E1900-4G User's Manual



Jetway Information Co., Ltd.

Tel: +886-2-89132711 E-mail: sales@jetway.com.tw Web: www.jetwayipc.com

Support: technic@jetway.com.tw or support_team@jetway.com.tw