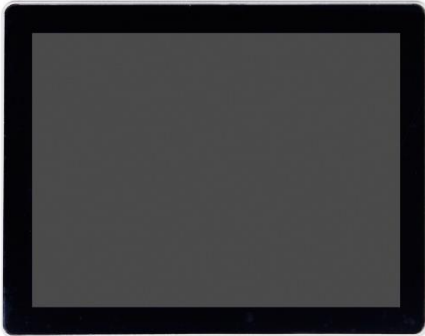


# HPC-080SC-2807A

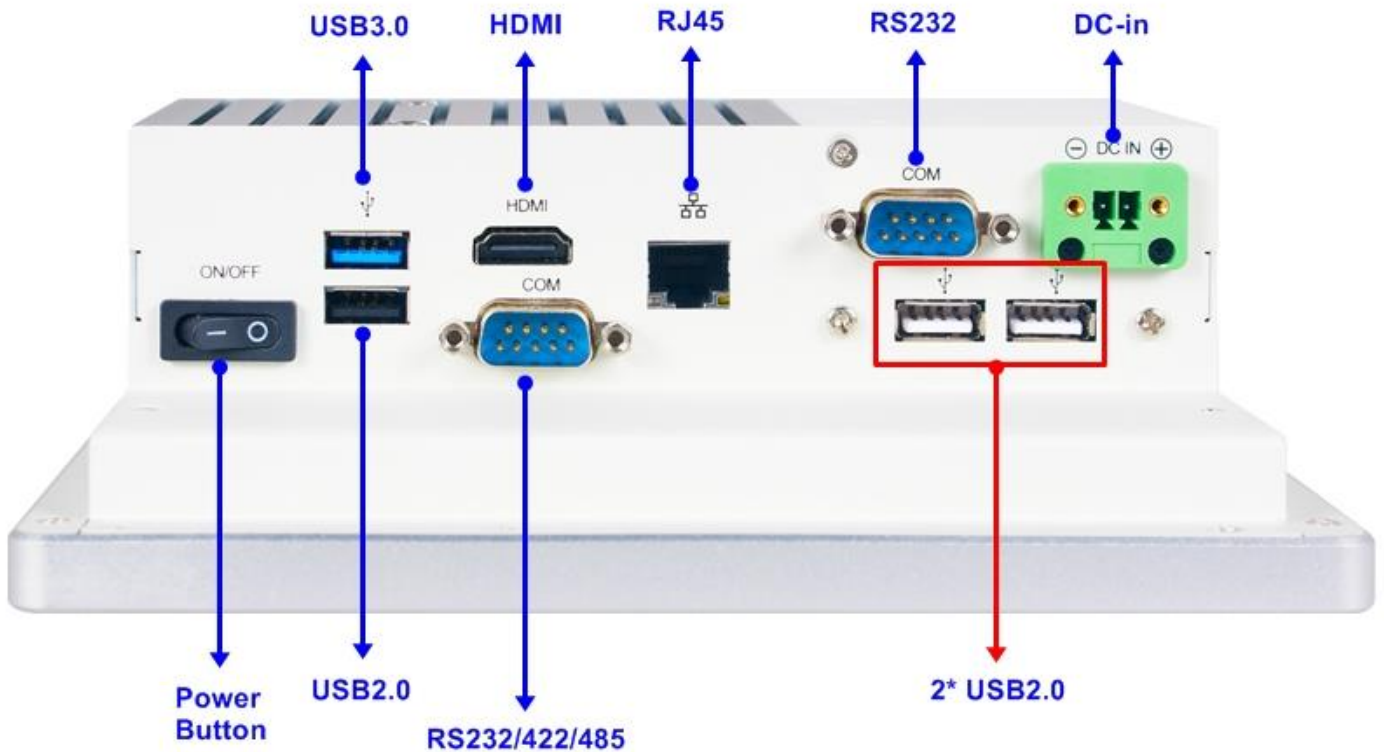
8" TFT Fanless Touch Panel Computer with Intel® Bay Trail-M N2807 1.58GHz Dual Cores Processor



1. 8" 400 nits high brightness TFT LCD with LED backlight
2. Onboard Intel® Bay Trail-M N2807 1.58GHz Dual Cores CPU
3. Onboard SAMSUNG 2G/1333MHz DDR3L Memory
4. Support 1\*Gigabit LAN
5. Support 2 \* COM ports (COM1 Support RS232/422/485)
6. Support 1\*USB3.0 + 3\*USB2.0 Port
7. Support 1 \* M\_SATA connector
8. 1 \* Mini PCI-E(Half size)
9. 12V DC-IN
10. Support 3G/4G SIM Card
11. IP65-rated front bezel



## External I/O



## Specifications

### Display

Front Bezel	- IP65, NEMA 4 rugged protection, metal front bezel
Display Type	- 8" With LED Backlight
Brightness (cd/m <sup>2</sup> )	- 400 nits
Display Color	- 16.7M
Resolution	- 1024 x 768 @ 60Hz
Viewing Angle (H/V)	- 160°/160°
Pixel Pitch	- 0.158 x 0.158 mm
Aspect Ratio	- 4:3
Contrast Ratio	- 700:1
Response Time	- 30 ms

### Touch screen

Type	- projected capacitive type
Active Range	- 163.05 x 122.54mm ±0.2mm
Transparency	- ≧ 85%
Surface Hardness	- ≧ 6H (JIS-5400)
Glass haze value	- ≦ 3%

### Main System

CPU	- Intel® Bay Trail-M N2807 1.58GHz/DC
RAM	- 2G 1333MHz DDR3L SAMSUNG DRAM
BIOS	- 64MB SPI Flash ROM
Storage	- 1 * M-SATA connector (Full size)
Watchdog Timer	- 256 levels, 0~255 sec.
OS Support	- Windows 7 / 8.1 / 10 / Linux

### I/O Connector

I/O Ports and Switches	<ul style="list-style-type: none"> <li>- 1 * USB3.0</li> <li>- 3 * USB2.0</li> <li>- 1 * RS232</li> <li>- 1 * RS232/422/485</li> <li>- 1 * HDMI</li> <li>- 1 * LAN (Gigabit LAN)</li> <li>- 1 * Euro terminal block by 12V DC input</li> <li>- 1 * Power button</li> </ul>
------------------------	--

### Expansion Interface

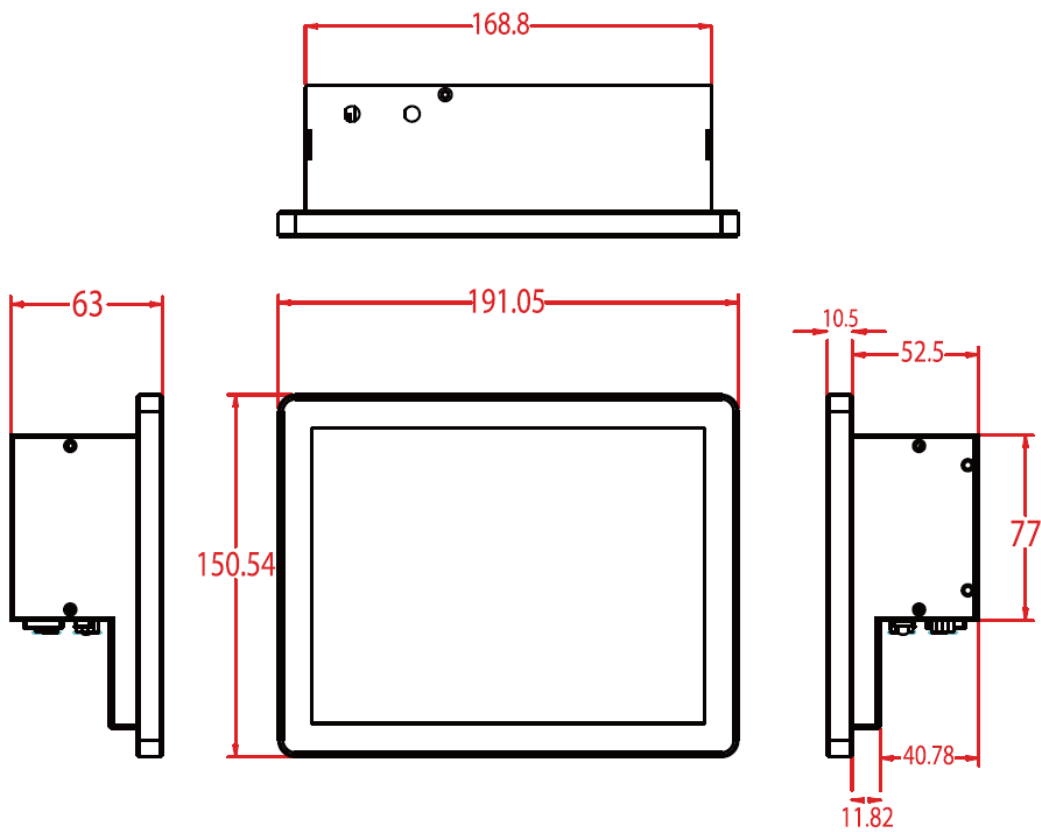
Expansion	- 1 * PCI-E mini card for WIFI or 3G/4G
-----------	---

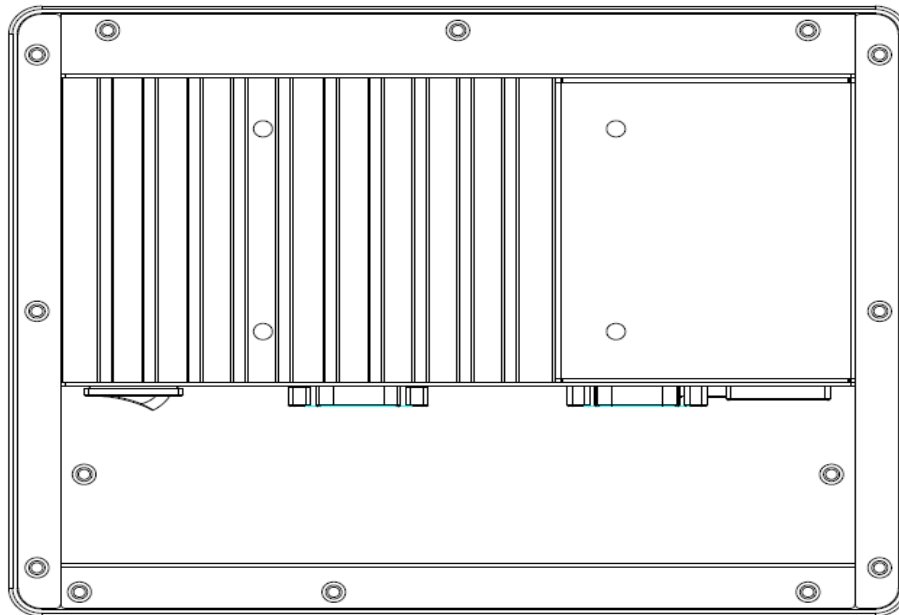
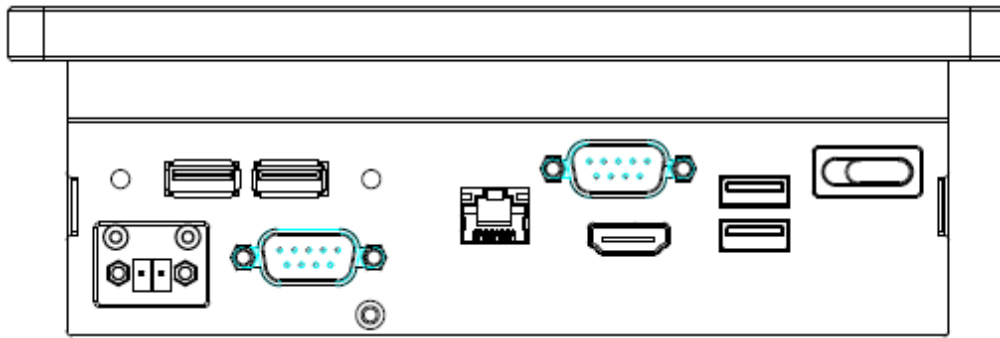
### Power

Power Input	- AC version: 100~240V AC-DC 60W power adapter or - DC version: 12V <sub>DC</sub> with over current protection fuse
Power Consumption	- 13W
<b>Dimensions</b>	
Case Dimensions	- 191.05*150.54*63mm
Packing Dimensions	- Net Weight: KG - Gross Weight: KG - Color Box dimension: (W) * (D) * (H) mm
<b>Certifications</b>	
Certifications	- CE, FCC, IP65(Front)
<b>Environment</b>	
Temperature	- Operating: -10°C ~ 60°C (with W.T. DRAM/HDD in airflow condition)
	- Operating: -10°C ~ 60°C (with W.T. DRAM/HDD)
	- Storage: -20°C ~ 85°C
Shock	- Operating: 15G , 11ms duration
Vibration	- Operating: 5~500Hz/1 Grms
<b>Warranty</b>	
Warranty	- 2 Years Limited Warranty ( Panel is only Warranty 1Year )

\*Specifications subject to change without notice, not responsible for typographical errors. Does not include HDD or OS.

## Mechanical Drawings (Unit = mm)





## Optional Accessories

Part Number	Description
-----	HPC-080BC-HD2807A
	HPC-080BC-HD2807A User's Manual
	JNP93-2807 User's Manual
	CD Driver
	Power cord
	60W AC-DC Adapter